

# G&W Altea

IT4PQ - Wideband testing of LPITs

Presenter: Andrea Nalli

# Agenda

---

- **Company overview**
- **LPIT Verification for PQ**
- **LPIT Application for PQ**

# Company overview – G&W Electric



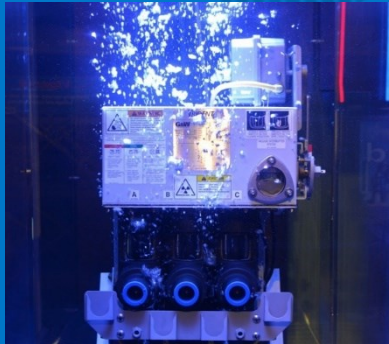
**USA Canada Mexico Italy India China**

**G&W Electric  
has operations  
around  
the globe**

Solid state reclosers



Switchgears



Power Grid Automation



# Company overview – G&W Altea

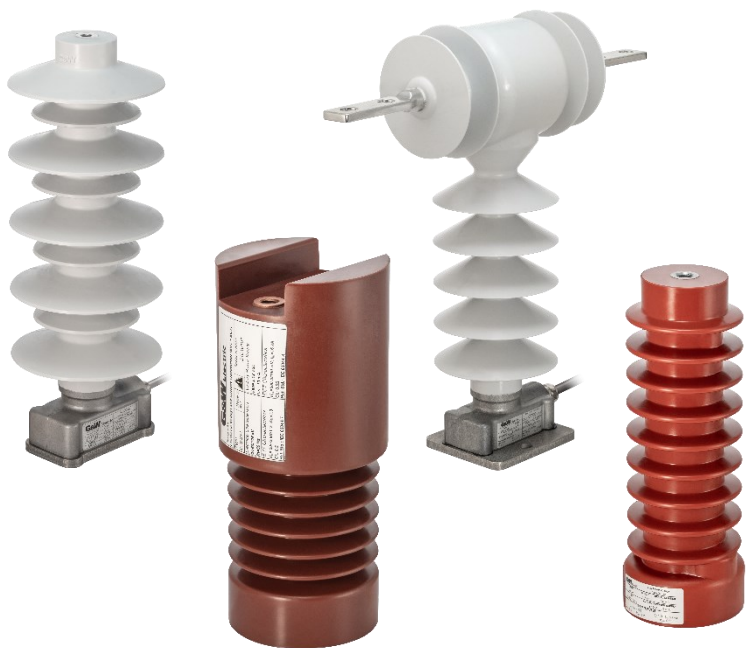
---

- **Altea Founded in 2008, acquired by G&W in 2019**
- **Manufacturing & engineering operation located in Ferrara, Italy**
- **Specializing in innovative, highly accurate LPIT for indoor & outdoor applications**
- **2023: 45 employees, + 100 % on 2021**



# Company overview – G&W Altea

## STAND-ALONE LPIT



## EMBEDDED LPIT

*LPIT is embedded in an already existing MV equipment*

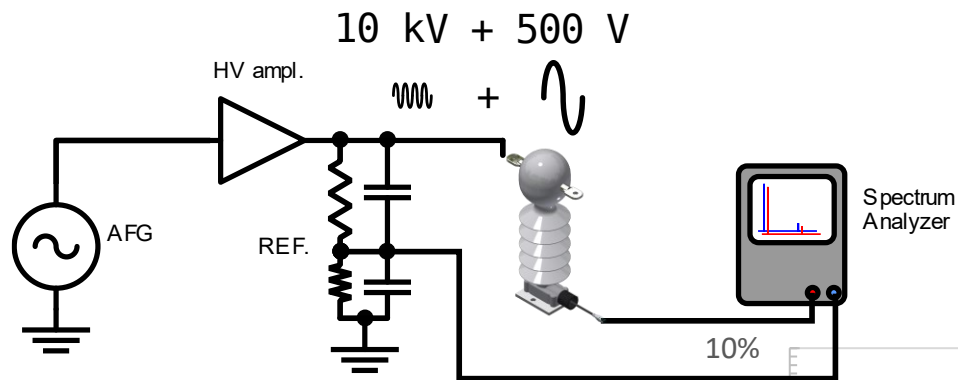


# LPIT Verification for PQ

Bandwidth & Power quality

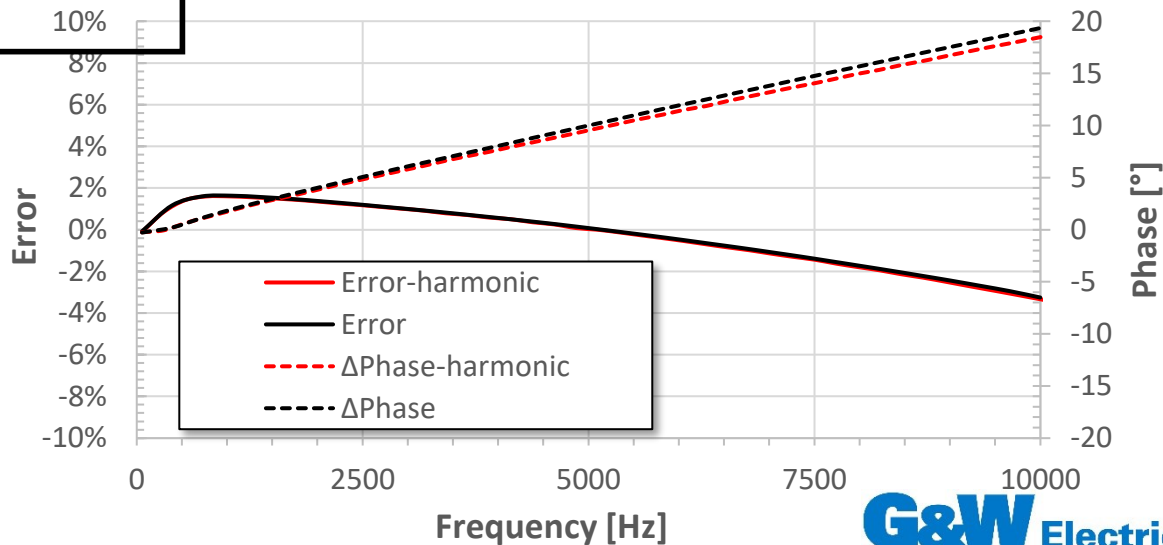
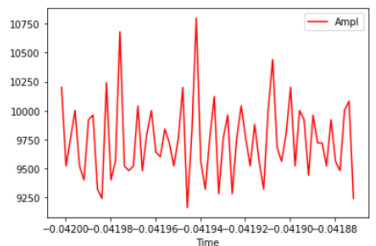
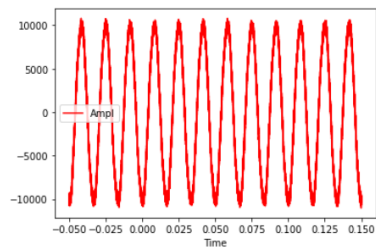
# G&W

# CVS-36-O Testing - Voltage

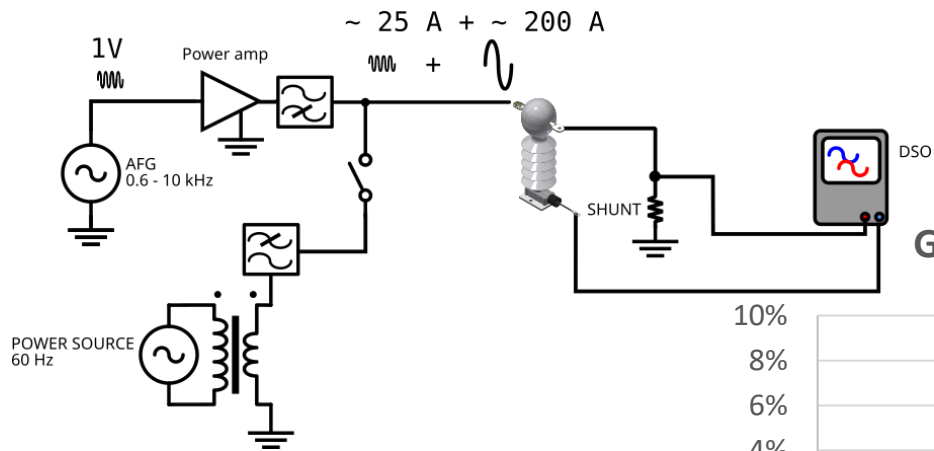


CVS-36-O: Outdoor combined voltage and current sensor.

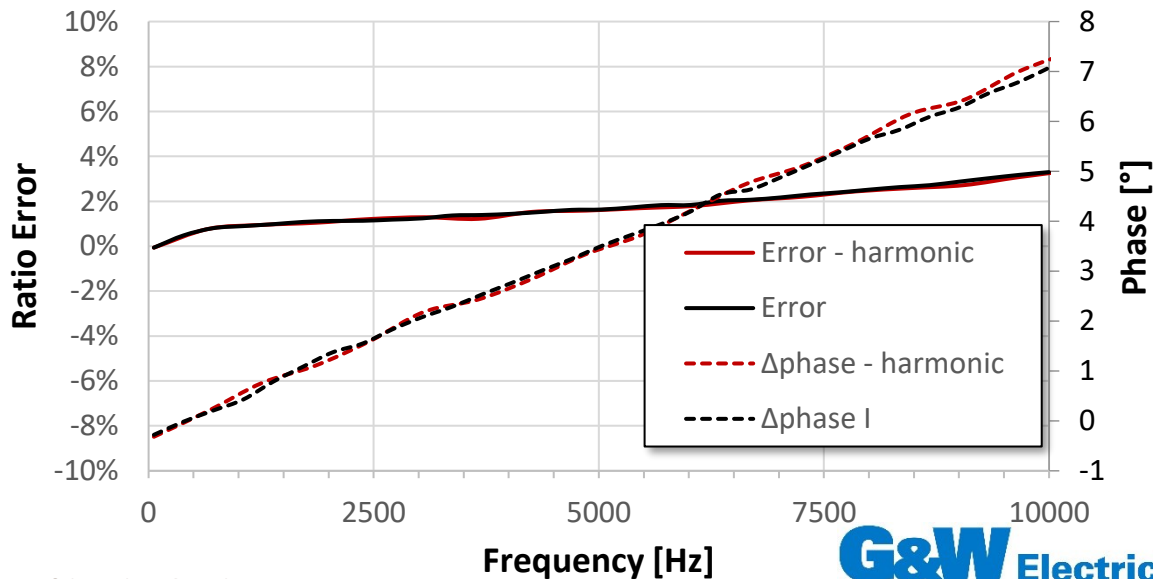
G&W36 Frequency Response



# CVS-36-O Testing - Current



G&W36 Current Frequency Response



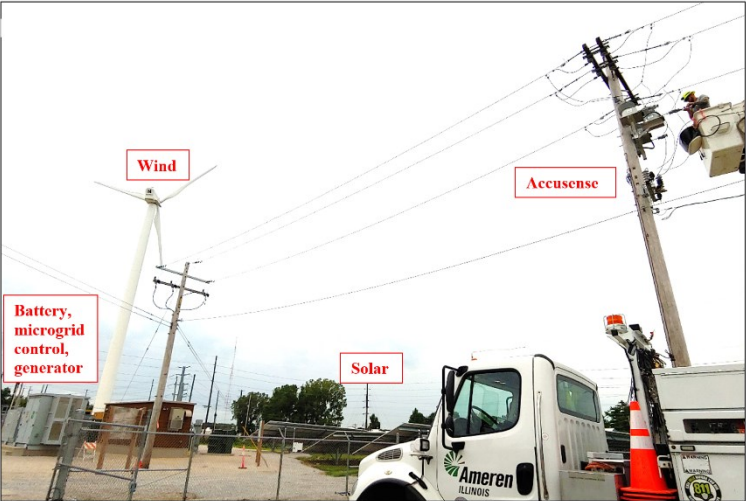
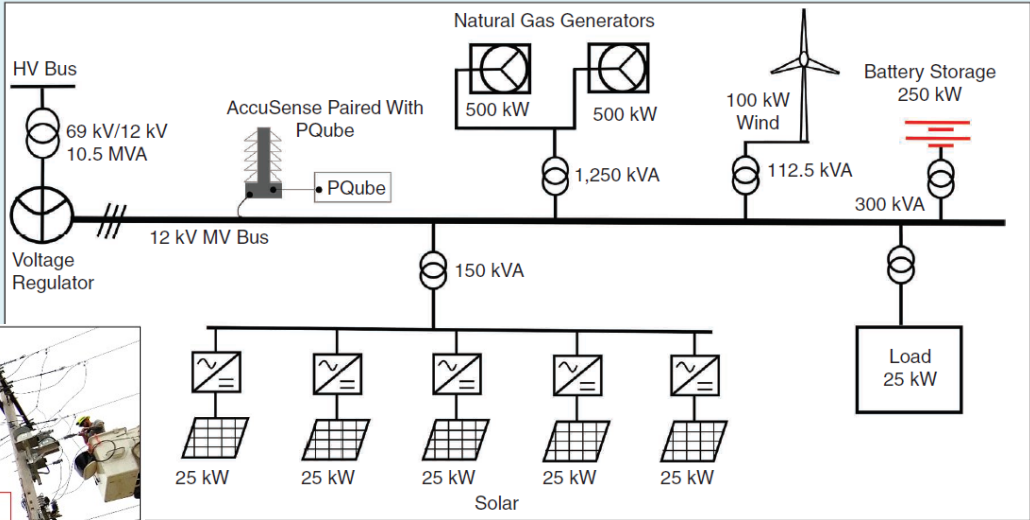


# LPIT Application for PQ

Power quality measurement in high-DER grid

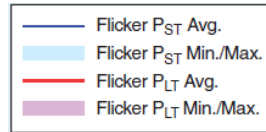
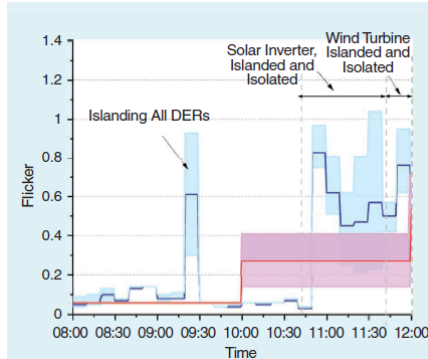
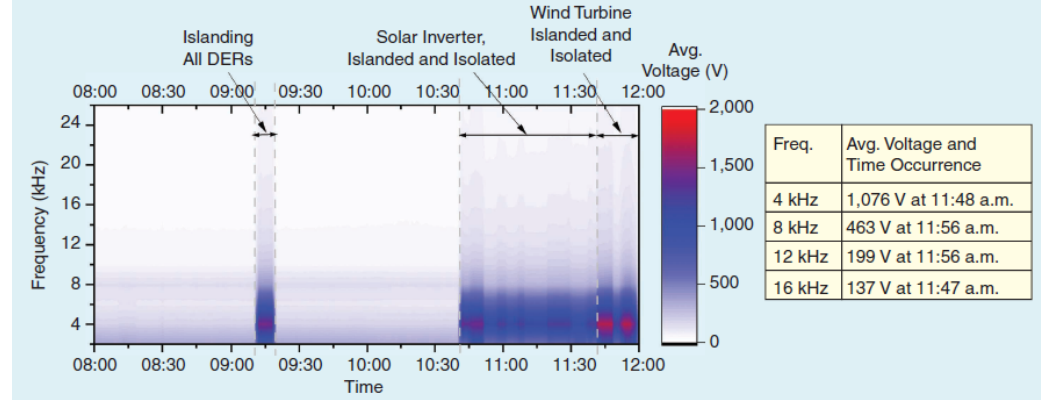
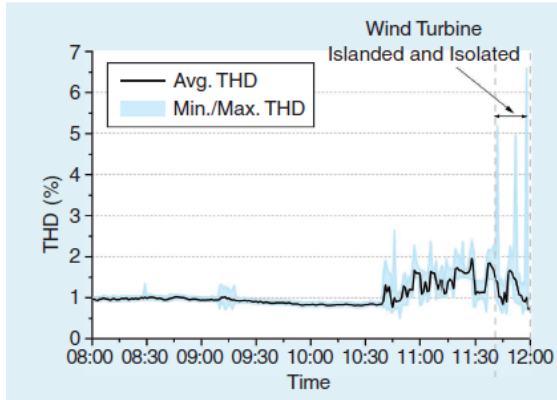
# G&W

# LPIT for PQ



# LPIT for PQ

*From: Supraharmonic Measurements in Distributed Energy Resources*



Q&A

[andrea.nalli@gwelec.com](mailto:andrea.nalli@gwelec.com)